



Direct acting 2-port solenoid valve for oil, single unit  
Special purpose

# FLB Series

- NC (open when energized)
- Port size: Rc1/8 / Rc1/2

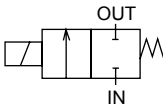


Refer to the Ending for details.



## JIS symbol

- NC (open when energized)



## Common specifications

Item	Standard specifications	Optional specifications
Working fluid	Oil (50 mm <sup>2</sup> /s or less)	
Working pressure differential MPa	0 (≈0 psi, 0 bar) to 1.5 (≈220 psi, 15 bar)	
Proof pressure (water pressure) MPa	5.0 (≈730 psi, 50 bar) (3.0 (≈440 psi, 30 bar) for ø7 and ø10 orifice)	
Fluid temperature °C	AC:-10 (14°F) to 60 (140°F) DC:-10 (14°F) to 40 (104°F) (no freezing)	-10 (14°F) to 90 (194°F) (no freezing)
Ambient temperature °C	AC:-20 (-4°F) to 60 (140°F) DC:-20 (-4°F) to 40 (104°F)	-20 (-4°F) to 60 (140°F)
Thermal class	Class 130 (B)	Class 180 (H) or equivalent (AC only)
Atmosphere	Place free of corrosive gas and explosive gas	
Valve structure	Direct acting poppet structure	
Valve seat leakage cm <sup>3</sup> /min	0 (oil)	
Mounting orientation	Unrestricted	
Degree of protection	IP65 or equivalent (*1)	

\*1: The T type terminal box is IP61 or equivalent.

## Individual specifications

1 MPa ≈ 145.0 psi, 1 MPa = 10 bar

Item Model No.	Port size	Orifice size (mm)	Cv	Max. working pressure differential MPa		Max. working pressure MPa	Rated voltage	Apparent power (VA)				Power consumption (W)		Weight (kg)
				AC	DC			When holding		When starting		AC 50 Hz/60 Hz	DC	
								50 Hz	60 Hz	50 Hz	60 Hz			
<b>NC (open when energized)</b>														
FLB21-6-Z	Rc1/8	1	0.036	1.5	1.0	1.5	100 VAC 50/60 Hz	6.5	5	9.5	8.5	3.6/2.4	4	0.16
				0.6	0.25									
FLB31- <sup>6</sup> / <sub>8</sub> -3	Rc1/8 Rc1/4	3	0.31	0.8	0.5	(≈220 psi, 15 bar)	200 VAC 50/60 Hz	15.5	10	24	20	6.5/4.0	6	0.30
				0.4	0.15									
				0.65	0.05									
FLB41- <sup>8</sup> / <sub>10</sub> -5	Rc1/4 Rc3/8	4	0.54	0.8	0.45	0.3	24 VDC 12 VDC	22	15	45	40	8.5/6.5	8	0.49
				0.5	0.2									
				1.10	0.09									
FLB41- <sup>10</sup> / <sub>15</sub> -8	Rc3/8 / Rc1/2	10	1.88	0.1	0.04	(≈44 psi)	12 VDC							0.60
				0.7	0.7									
FLB51- <sup>8</sup> / <sub>10</sub> -5	Rc1/4 Rc3/8	4	0.54	1.1	1.3	1.5	12 VDC	32	22	65	55	12.5/10.5	11.5	0.68
				0.7	0.7									
				1.10	0.3			0.25						
FLB51- <sup>10</sup> / <sub>15</sub> -8	Rc3/8 / Rc1/2	10	1.88	0.12	0.1	(≈44 psi)								0.81

\*1 : The voltage fluctuation range must be within ±10% of the rated voltage.

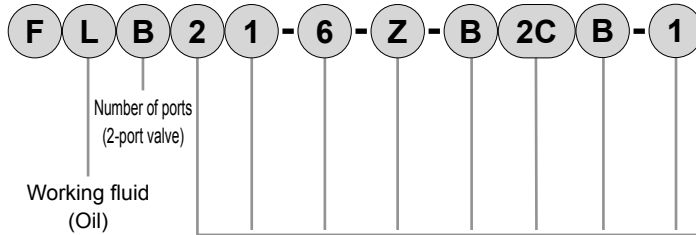
\*2 : The leakage current must be less than or equal to the values shown below.

\*3 : 8.6 (W) for 12 VDC.

\*4 : The 100 VAC (50/60 Hz) can be used with 110 VAC (60 Hz).  
The 200 VAC (50/60 Hz) can be used with 220 VAC (60 Hz).

Leakage current	Voltage				
	Model No.	100 VAC	200 VAC	24 VDC	12 VDC
	FLB2	3 mA or less	1.5 mA or less	1 mA or less	2 mA or less
FLB3/4/5	6 mA or less	3 mA or less			

## How to order



Working fluid  
(Oil)

Number of ports  
(2-port valve)

**A** Series size

**B** Actuation

**C** Port size

**D** Orifice size

\*1

\*2

**E** Body/sealant combination

**F** Coil option

\*3

\*4

\*5

**G** Other options

**H** Voltage

\*6

[Example of model No.]

**FLB21-6-Z-B2CB-1**

Model: FLB

- A** Series size : 22 mm
- B** Actuation : NC (open when energized)
- C** Port size : Rc1 / 8
- D** Orifice size :  $\phi$ 1
- E** Body/sealant combination : Body - copper alloy, sealant - FKM
- F** Coil option : Grommet lead wire
- G** Others : With mounting plate
- H** Voltage : 100 VAC 50/60 Hz

## ⚠ Precautions for model No. selection

- \*1 : For FLB41 and FLB51 with orifice of  $\phi$ 4 mm (Item **D** 5),  $\phi$ 5 mm (Item **D** 6) and  $\phi$ 7 mm (Item **D** 7), available port sizes are Rc1/4 (Item **C** 8) and Rc3/8 (Item **C** 10) only.
- \*2 : For orifice of  $\phi$ 10 mm (Item **D** 8), available port size is Rc3/8 (Item **C** 10) and Rc1/2 (Item **C** 15). The body is bronze casting.
- \*3 : For FLB21 Item **F** 2G/2HS, the DIN terminal box (Pg9) is used.
- \*4 : The surge suppressor is built into the coil for Item **F** 2CS and in the terminal box for 2HS and 3RS.
- \*5 : For high temperature specifications (fluid temperature 90°C), coil option 4A only is available. Grommet lead wire (class 180 (H) or equivalent) of Item **F** 4A is for AC only.
- \*6 : Other voltages may not be available. Contact CKD for details.

		Model No.			
		FLB21	FLB31	FLB41	FLB51
Code	Description				
<b>A Series size</b>					
2	22 mm	●			
3	28 mm		●		
4	34 mm			●	
5	40 mm				●
<b>B Actuation</b>					
1	NC (open when energized)	●	●	●	●
<b>C Port size</b>					
6	Rc1/8	●	●		
8	Rc1/4		●	●	●
10	Rc3/8			●	●
15	Rc1/2			●	●
<b>D Orifice size</b>					
Z	$\phi$ 1	●			
2	$\phi$ 2	●			
3	$\phi$ 3		●		
5	$\phi$ 4		●	●	●
6	$\phi$ 5		●	●	●
7	$\phi$ 7			●	●
8	$\phi$ 10			●	●
<b>E Body/sealant combination</b>					
	<b>Body</b>	<b>Seal</b>			
<b>B</b>	Copper alloy	FKM			
		●	●	●	●
<b>F Coil option</b>					
<b>2C</b>	Std.	Grommet lead wire	●	●	●
<b>2CS</b>	Option	Grommet lead wire with surge suppressor	●	●	●
<b>2G</b>		With DIN terminal box (Pg11)	●	●	●
<b>2HS</b>		DIN term box, lamp/anti-surge (Pg11)	●	●	●
<b>2CG</b>		Conduit (CTC19)		●	●
<b>2CH</b>		Conduit (G1/2)		●	●
<b>3T</b>		With T type terminal box (G1/2)		●	●
<b>3RS</b>		T type term box, lamp/anti-surge (G1/2)		●	●
<b>4A</b>	Grommet lead wire (class 180(H), equiv)	●	●	●	
<b>G Other options</b>					
<b>Blank</b>	Std.	None	●	●	●
<b>B</b>	Option	Mounting plate	●	●	●
<b>H Voltage</b>					
1	100 VAC 50/60 Hz	●	●	●	●
2	200 VAC 50/60 Hz	●	●	●	●
3	24 VDC	●	●	●	●
4	12 VDC	●	●	●	●
Specify the desired voltage if it is not listed above.					

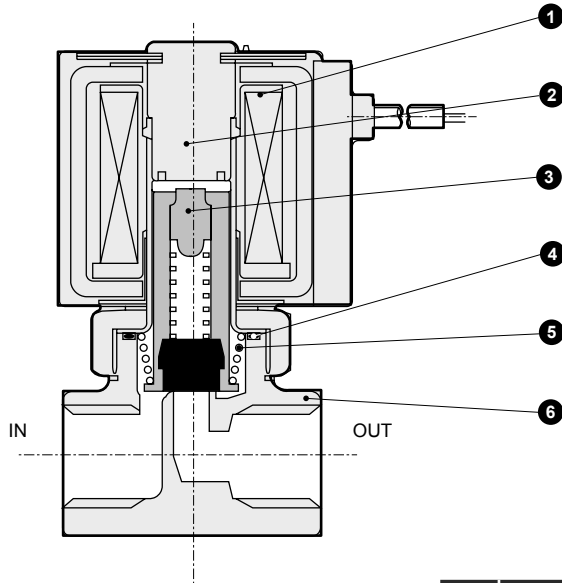
Select from the combinations indicated with ● in the table above.

- EXA
- FWD
- HNB/G
- USB/G
- FAB/G
- FGB/G
- FVB
- FWB/G
- FHB
- FLB
- AB
- AG
- AP/AD
- APK/ADK
- DryAir
- EX-XPLNprf
- XPLNprf
- HVB/HVL
- S $\phi$ B/NAB
- LAD/NAD
- Water-Rela
- NP/NAP/NVP
- SNP
- CHB/G
- MXB/G
- Other valves
- SWD/MWD
- DustColl
- CVE/CVSE
- CCH/CPE/D
- LifeSci
- Gas-Combus
- Auto-Water
- Outdoor
- SpecFld
- Custom
- Ending

- EXA
- FWD
- HNB/G
- USB/G
- FAB/G
- FGB/G
- FVB
- FWB/G
- FHB
- FLB**
- AB
- AG
- AP/AD
- APK/ADK
- DryAir
- EX-XPLNprf
- XPLNprf
- HVB/HVL
- S $\diamond$ B/NAB
- LAD/NAD
- Water-Rela
- NP/NAP/NVP
- SNP
- CHB/G
- MXB/G
- Other valves
- SWD/MWD
- DustColl
- CVE/CVSE
- CCH/CPE/D
- LifeSci
- Gas-Combus
- Auto-Water
- Outdoor
- SpecFld
- Custom
- Ending

## Internal structure and parts list

● FLB\*1 Series

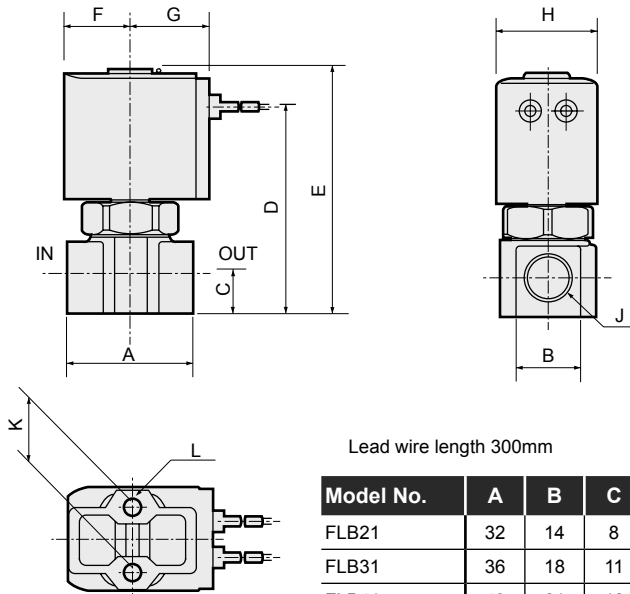


No.	Part name	Material	
1	Coil assembly	-	-
2	Core assembly	SUS, Cu	Stainless steel, copper
3	Plunger assembly	SUS, C3604, FKM	Stainless steel, copper alloy, fluoro rubber
4	O-ring	FKM	Fluoro rubber
5	Spring	SUS	Stainless steel
6	Body	C3771 or CAC407	Copper alloy or bronze

## Dimensions



● Grommet lead wire  
FLB\*1-\*-B2C



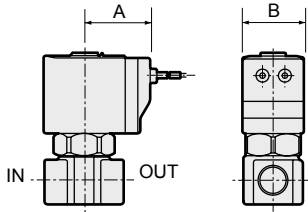
Model No.	A	B	C	D	E	F	G	H	J	K	L
FLB21	32	14	8	45.5	56	15.5	19.5	22	Rc1/8	15	M4 depth 6
FLB31	36	18	11	57.5	68.5	18.5	22.5	28	Rc1/8, Rc1/4	18	M5 depth 6
FLB41	40	21	12	67	81	22.5	26	34	Rc1/4, Rc3/8	18	M5 depth 8
FLB41-10/15-8 (Orifice $\phi$ 10)	50	29	15	76	90				Rc3/8, Rc1/2		
FLB51	40	21	12	73.5	89	26	29.5	40	Rc1/4, Rc3/8	18	M5 depth 8
FLB51-10/15-8 (Orifice $\phi$ 10)	50	29	15	82.5	98				Rc3/8, Rc1/2		

## Optional dimensions



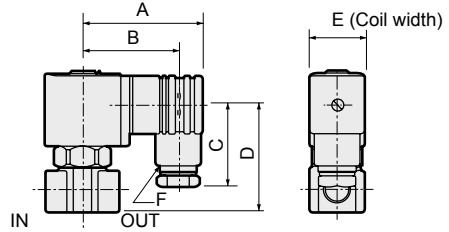
(Refer to the dimensions of grommet lead wire on page 132 for common dimensions.)

- Grommet lead wire with surge suppressor  
FLB\*1-\*-\*-B **2CS**



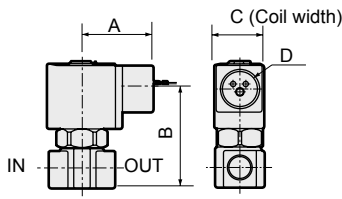
Model No.	A	B
FLB21	26.5	22
FLB31	29.5	28
FLB41	34	34
FLB51	37.5	40

- DIN terminal box (with lamp/surge suppressor)  
FLB\*1-\*-\*-B **2G**  
**2HS**



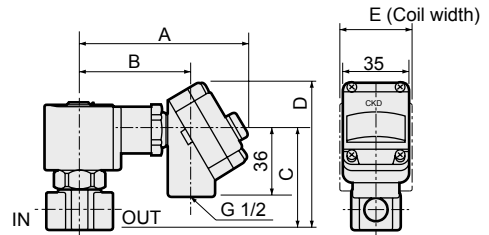
Model No.	A	B	C	D	E	F
FLB21	53	44	38	39	22	Pg 9
FLB31	58.5	47	39	51	28	Pg11
FLB41	62	50.5	39	61	34	Pg11
FLB41-10/15-8 (Orifice ø10)				70		
FLB51	65.5	54	39	69.5	40	Pg11
FLB51-10/15-8 (Orifice ø10)				78.5		

- Conduit (CTC19 / G1/2)  
FLB\*1-\*-\*-B **2CG**  
**2CH**



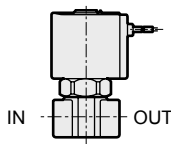
Model No.	A	B	C	D	E
FLB31	92	60.5	53	79	28
FLB41	96.5	64.5	62.5	88.5	34
FLB41-10/15-8 (Orifice ø10)			71.5	97.5	
FLB51	99.5	68	71	97	40
FLB51-10/15-8 (Orifice ø10)			80	106	

- T type terminal box (with lamp/surge suppressor) (G1/2)  
FLB\*1-\*-\*-B **3T**  
**3RS**



Model No.	A	B	C	D
FLB31	39	52.5	28	CTC19 G1/2
FLB41	43	62.5	34	CTC19 G1/2
FLB41-10/15-8 (Orifice ø10)		71.5		
FLB51	46.5	71	40	CTC19 G1/2
FLB51-10/15-8 (Orifice ø10)		80		

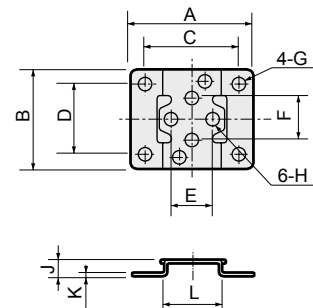
- Grommet lead wire (thermal class H or equivalent)  
FLB\*1-\*-\*-B **4A**



Dimensions are the same as those of grommet lead wire (2C).

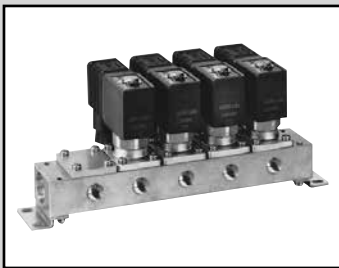
- Mounting plate  
FLB\*1-\*-\*-B\*\* **B**

Material: Steel  
Zinc plated



Model No.	A	B	C	D	E	F	G	H	J	K	L
FLB21	40	34	30	25	15	15	ø5	ø4.5	6	1.2	20
FLB31	52	42	40	30	18	18	ø6	ø5.5	7	1.6	25
FLB41/51	56	48	44	36	18	18	ø6	ø5.5	7	1.6	30

EXA
FWD
HNB/G
USB/G
FAB/G
FGB/G
FVB
FWB/G
FHB
<b>FLB</b>
AB
AG
AP/ AD
APK/ ADK
DryAir
EX- XPLNprf
XPLNprf
HVB/ HVL
S ⚡ B/ NAB
LAD/ NAD
Water- Rela
NP/NAP/ NVP
SNP
CHB/G
MXB/G
Other valves
SWD/ MWD
DustColl
CVE/ CVSE
CCH/ CPE/D
LifeSci
Gas- Combust
Auto- Water
Outdoor
SpecFld
Custom
Ending



Direct acting 2-port solenoid valve for oil, manifold  
Special purpose

# GFLB Series

- NC (open when energized)
- Port size: Rc1/8, Rc1/4, Rc3/8

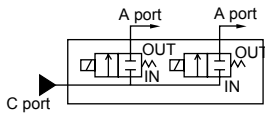


Refer to the Ending for details.



## JIS symbol

- NC (open when energized)/ common lubrication (C port pressurization)



## Common specifications

Item	Standard specifications	Optional specifications
Working fluid	Oil [50 mm <sup>2</sup> /s] or less	
Working pressure differential MPa	0 (≈0 psi, 0 bar) to 1.5 (≈220 psi, 15 bar)	
Proof pressure (water pressure) MPa	5.0 (≈730 psi, 50 bar) (3.0 (≈440 psi, 30 bar) for ø7 and ø10 orifice)	
Fluid temperature °C	AC:-10 (14°F) to 60 (140°F) DC:-10 (14°F) to 40 (104°F) (no freezing)	-10 (14°F) to 90 (194°F) (no freezing)
Ambient temperature °C	AC:-20 (-4°F) to 40 (104°F) DC:-20 (-4°F) to 40 (104°F)	-20 (-4°F) to 60 (140°F)
Thermal class	Class 130 (B)	Class 180 (H) or equivalent (AC only)
Atmosphere	Place free of corrosive gas and explosive gas	
Valve structure	Direct acting poppet structure	
Valve seat leakage cm <sup>3</sup> /min	0 (oil)	
Mounting orientation	Unrestricted	
Degree of protection	IP65 or equivalent (*1)	

\*1: The T type terminal box is IP61 or equivalent.

## Individual specifications

1 MPa ≈ 145.0 psi, 1 MPa = 10 bar

Item Model No.	Port size		Orifice size (mm)	Cv	Max. working pressure differential MPa		Max. working pressure MPa	Rated voltage	Apparent power (VA)				Power consumption (W)			
	A port (Individual port)	C port (Common port)			AC	DC			When holding		When starting		AC 50/60 Hz	DC		
									50 Hz	60 Hz	50 Hz	60 Hz				
<b>NC (open when energized)</b>																
GFLB21 - Z	Rc1/8	Rc1/4	1	0.036	1.5	1.0	1.5 (≈220 psi, 15 bar)	100 VAC 50/60 Hz	6.5	5	9.5	8.5	3.6/2.4	4		
- 2			2	0.12	0.6	0.25			15.5	10	24	20	6.5/4.0	6		
GFLB31 - 3	Rc1/4	Rc3/8	3	0.23	0.8	0.5			200 VAC 50/60 Hz	24 VDC 12 VDC	22	15	45	40	8.5/6.5	8
- 5			4	0.36	0.4	0.15										
- 6			5	0.45	0.25	0.05										
GFLB41 - 5	Rc1/4	Rc3/8	4	0.42	0.8	0.45			0.3	1.5 (≈220 psi)	32	22	65	55	12.5/10.5	11.5
- 6			5	0.55	0.5	0.2										
- 7			7	0.73	0.2	0.09										
GFLB51 - 5	Rc1/4	Rc3/8	4	0.42	1.1	1.3			0.3	1.5 (≈220 psi)	32	22	65	55	12.5/10.5	11.5
- 6			5	0.55	0.7	0.7										
- 7			7	0.73	0.3	0.25										

\*1 : The voltage fluctuation range must be within ±10% of the rated voltage.

\*3 : 8.6 (W) for 12 VDC.

\*2 : The leakage current must be less than or equal to the values shown below.

\*4 : The 100 VAC (50/60 Hz) can be used with 110 VAC (60 Hz).

The 200 VAC (50/60 Hz) can be used with 220 VAC (60 Hz).

Leakage current	Voltage	100 VAC	200 VAC	24 VDC	12 VDC
	Model No.				
	GFLB2	3 mA or less	1.5 mA or less	1 mA or less	2 mA or less
	GFLB3/4/5	6 mA or less	3 mA or less		

## Weight

Model No.	Actuator weight (kg)	Masking weight (kg)	Sub-plate weight (g) (sub-plate, connection part and mounting plate)										Formula for product weight
			2 stns.	3 stns.	4 stns.	5 stns.	6 stns.	7 stns.	8 stns.	9 stns.	10 stns.		
GFLB21	0.14	0.03	0.40	0.51	0.77	0.77	1.03	1.16	1.30	1.60	1.55	(Product weight (kg)) = 0.14 x (Actuator quantity) + 0.03 x (Masking quantity) + Sub-plate weight	
GFLB31	0.27	0.05	0.60	0.80	1.20	1.22	1.60	1.81	2.02	2.40	2.44	(Product weight (kg)) = 0.27 x (Actuator quantity) + 0.05 x (Masking quantity) + Sub-plate weight	
GFLB41	0.45	0.06	0.73	1.00	1.47	1.50	2.00	2.23	2.50	3.00	3.00	(Product weight (kg)) = 0.45 x (Actuator quantity) + 0.06 x (Masking quantity) + Sub-plate weight	
GFLB51	0.64	0.09	0.83	1.11	1.67	1.70	2.24	2.52	2.81	3.36	3.40	(Product weight (kg)) = 0.64 x (Actuator quantity) + 0.09 x (Masking quantity) + Sub-plate weight	

## How to order

● Manifold

**G F L B 2 1 - Z - 3 - B 2C - 1**

● Manifold with masking plate

**G F L B 5 1 - 6 - X - B 2G - 2 - 5 2**

No. of ports  
(2-port valve)

Working fluid  
(Oil)

**A** Series size

**B** Circuit configuration

**C** Orifice size

**D** Manifold station No.

\*1  
\*2

**E** Body/sealant combination

**F** Coil option

\*3  
\*4  
\*5

**G** Voltage

\*6

**H** No. of solenoid valves

\*7

**I** Masking plate quantity

[Example of model No.]

**GFLB21-Z-3-B2C-1**

Model: GFLB

- A** Series size : 22 mm
- B** Circuit configuration : NC (open when energized)/common lubrication
- C** Orifice size :  $\phi 1$
- D** Manifold station No. : 3 stations
- E** Body/sealant combination : Body - copper alloy/sealant - FKM
- F** Coil option : Grommet lead wire
- G** Voltage : 100 VAC 50/60 Hz
- H I** : No masking plate

## ⚠ Precautions for model No. selection

- \*1 : Select a desired manifold station No. from 2 to 10.
- \*2 : For the type with masking plate, designate Item **D** as X, then designate the quantities of **H** solenoid valves and **I** masking plates.
- \*3 : Grommet lead wire (class 180 (H) or equivalent) of Item **F** 4A is for AC only.
- \*4 : For GFLB21 Item **F** 2G/2HS, the DIN terminal box (Pg9) is used.
- \*5 : The surge suppressor is built into the coil for Item **F** 2CS and in the terminal box for 2HS and 3RS.
- \*6 : Other voltages may not be available. Contact CKD for details.
- \*7 : Solenoid valves are arranged from the right side with the sub-plate (individual) A port facing front.
- \*8 : Orders for only the masking plate and sub-plate are also available. Contact CKD for details.

		Model No.					
		GFLB21	GFLB31	GFLB41	GFLB51		
Code	Description						
<b>A Series size</b>							
2	22 mm	●					
3	28 mm		●				
4	34 mm			●			
5	40 mm				●		
<b>B Circuit configuration</b>							
1	NC (open when energized)/common lubrication	●	●	●	●		
<b>C Orifice size</b>							
Z	$\phi 1$	●					
2	$\phi 2$	●					
3	$\phi 3$		●				
5	$\phi 4$			●	●		
6	$\phi 5$		●	●	●		
7	$\phi 7$			●	●		
<b>D Manifold station No.</b>							
2	2 stations	●	●	●	●		
to	to						
10	10 stations						
O	Actuator only	●	●	●	●		
X	With masking plate	●	●	●	●		
<b>E Body/sealant combination</b>							
		Body		Seal			
B	Copper alloy	FKM		●	●	●	●
<b>F Coil option</b>							
2C	Std.	Grommet lead wire	●	●	●	●	
2CS	Option	Grommet lead wire with surge suppressor	●	●	●	●	
2G		With DIN terminal box (Pg11)	●	●	●	●	
2HS		DIN terminal box with lamp/surge suppressor (Pg11)	●	●	●	●	
2CG		Conduit (CTC19)		●	●	●	
2CH		Conduit (G1/2)		●	●	●	
3T		With T type terminal box (G1/2)		●	●	●	
3RS		T type terminal box with lamp/surge suppressor (G1/2)		●	●	●	
4A		Grommet lead wire (Class 180 (H) or equivalent)	●	●	●	●	
<b>G Voltage</b>							
1		100 VAC 50/60 Hz	●	●	●	●	
2	200 VAC 50/60 Hz	●	●	●	●		
3	24 VDC	●	●	●	●		
4	12 VDC	●	●	●	●		
Specify the desired voltage if it is not listed above.							
<b>H No. of solenoid valves</b>							
Blank	No masking plate	●	●	●	●		
1	1 solenoid valve	●	●	●	●		
to	to						
9	9 solenoid valves						
<b>I Masking plate quantity</b>							
Blank	No masking plate	●	●	●	●		
1	1 masking plate	●	●	●	●		
to	to						
9	9 masking plates						

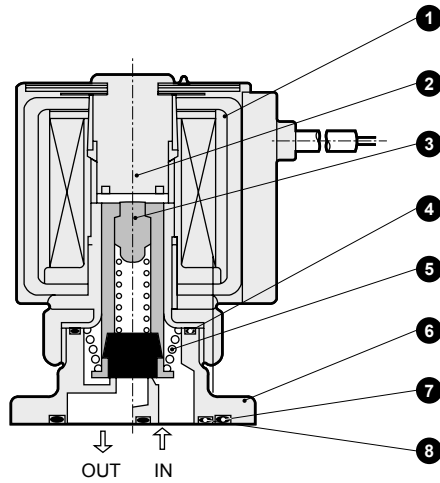
Select from the combinations indicated with ● in the table above.

EXA
FWD
HNB/G
USB/G
FAB/G
FGB/G
FVB
FWB/G
FHB
FLB
AB
AG
AP/AD
APK/ADK
DryAir
EX-XPLNprf
XPLNprf
HVB/HVL
S $\phi$ B/NAB
LAD/NAD
Water-Rela
NP/NAP/NVP
SNP
CHB/G
MXB/G
Other valves
SWD/MWD
DustColl
CVE/CVSE
CCH/CPE/D
LifeSci
Gas-Combust
Auto-Water
Outdoor
SpecFld
Custom
Ending

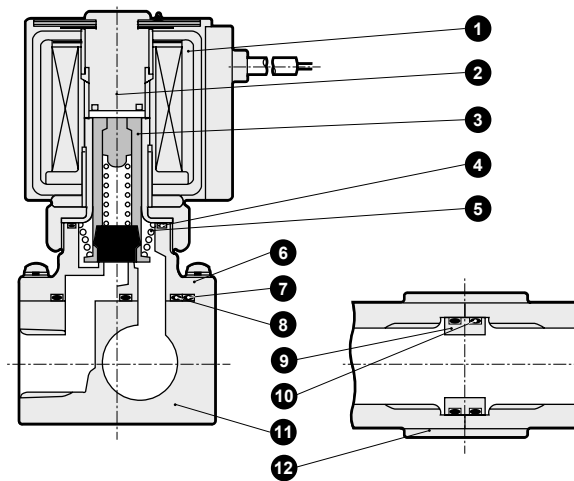
## Internal structure and parts list

- EXA
- FWD
- HNB/G
- USB/G
- FAB/G
- FGB/G
- FVB
- FWB/G
- FHB
- FLB**
- AB
- AG
- AP/AD
- APK/ADK
- DryAir
- EX-XPLNprf
- XPLNprf
- HVB/HVL
- S $\diamond$ B/NAB
- LAD/NAD
- Water-Rela
- NP/NAP/NVP
- SNP
- CHB/G
- MXB/G
- Other valves
- SWD/MWD
- DustColl
- CVE/CVSE
- CCH/CPE/D
- LifeSci
- Gas-Combust
- Auto-Water
- Outdoor
- SpecFld
- Custom
- Ending

### ● GFLB actuator



### ● GFLB manifold



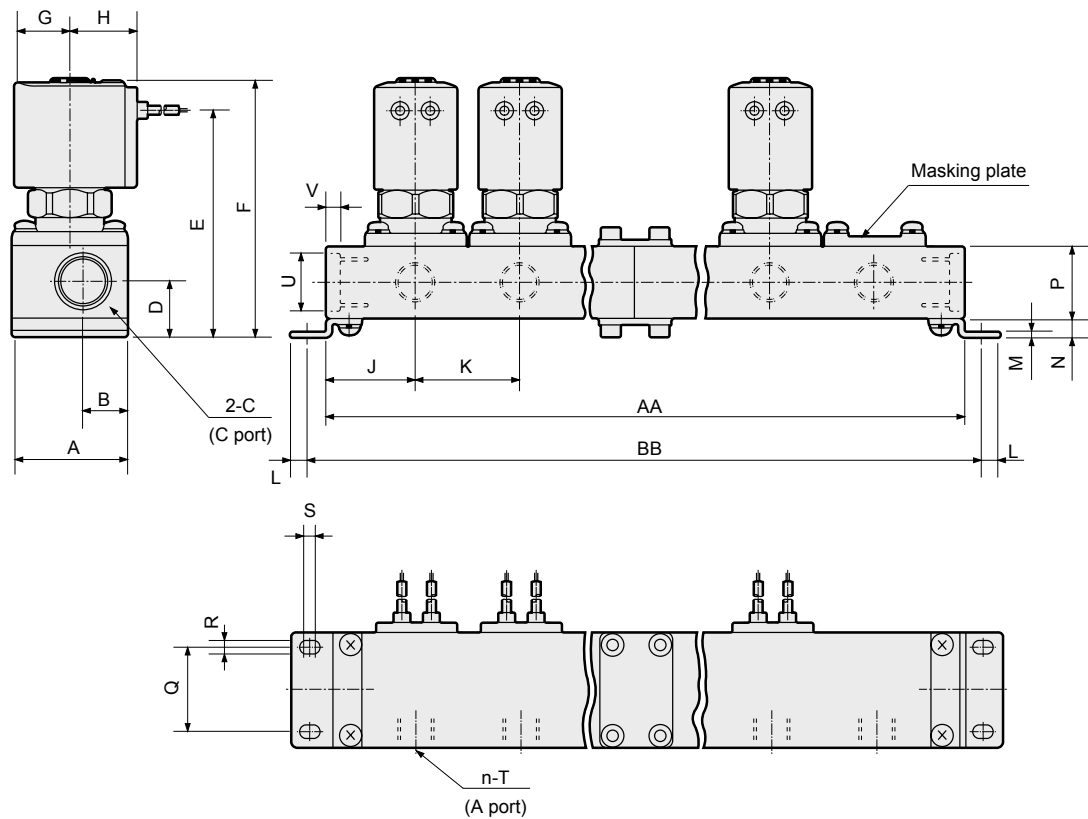
No.	Part name	Material	No.	Part name	Material
1	Coil assembly	-	7	O-ring	FKM Fluoro rubber
2	Core assembly	SUS, Cu	8	O-ring	FKM Fluoro rubber
3	Plunger assembly	SUS, C3604, FKM	9	Connector	C3604 Copper alloy
4	O-ring	FKM	10	O-ring	FKM Fluoro rubber
5	Spring	SUS	11	Sub-plate	C3604 Copper alloy
6	Body	C3771	12	Connecting plate	SPC Steel

\*4 body mounting screws and 2 O-rings are attached to the actuator only.

## Dimensions: Manifold



- Grommet lead wire  
GFLB\*1-\*-\*-B2C



Lead wire length 300mm

Model No.	Station No. Code	Station No.									
		2	3	4	5	6	7	8	9	10	
GFLB2	AA	81	109	162	165	218	246	274	327	330	
	BB	93	121	174	177	230	258	286	339	342	
GFLB3	AA	97	133	194	205	266	302	338	399	410	
	BB	109	145	206	217	278	314	350	411	422	
GFLB4	AA	106	145	212	223	290	329	368	435	446	
	BB	119	158	225	236	303	342	381	448	459	
GFLB5	AA	118	163	236	253	326	371	416	489	506	
	BB	131	176	249	266	339	384	429	502	519	
Manifold configuration		2 stns. x 1	3 stns. x 1	2 stns. x 2	5 stns. x 1	3 stns. x 2	5 stns. + 2 stns.	5 stns. + 3 stns.	3 stns. x 3	5 stns. x 2	

Note) Manifold configuration combines 2-station, 3-station and 5-station units.

Model No.	A	B	C	D	E	F	G	H	J	K	L	M	N	P	Q	R	S	T	U	V
GFLB2	32	13.5	Rc1/4	17.5	66.5	77	15.5	19.5	26	28	6	1.6	6.5	21	22	4.5	2.5	Rc1/8	ø17.3	4
GFLB3	38	14.5	Rc3/8	18.5	75.5	86.5	18.5	22.5	30	36	6	2	6.5	24	28	4.5	2.5	Rc1/4	ø19	4.6
GFLB4	42	16.5	Rc3/8	19.5	84	98	22.5	26	33	39	6.5	2	7.5	24	30	5.5	2.5	Rc1/4	ø19	4.6
GFLB5	42	16.5	Rc3/8	19.5	90	105	26	29.5	36	45	6.5	2	7.5	24	30	5.5	2.5	Rc1/4	ø19	4.6

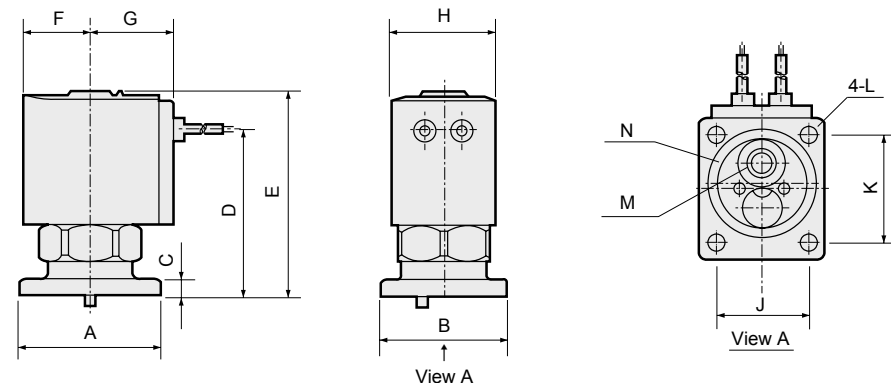
- EXA
- FWD
- HNB/G
- USB/G
- FAB/G
- FGB/G
- FVB
- FWB/G
- FHB
- FLB**
- AB
- AG
- AP/AD
- APK/ADK
- DryAir
- EX-XPLNprf
- XPLNprf
- HVB/HVL
- S $\hat{\phi}$ B/NAB
- LAD/NAD
- Water-Rela
- NP/NAP/NVP
- SNP
- CHB/G
- MXB/G
- Other valves
- SWD/MWD
- DustColl
- CVE/CVSE
- CCH/CPE/D
- LifeSci
- Gas-Combus
- Auto-Water
- Outdoor
- SpecFld
- Custom
- Ending



EXA  
FWD  
HNB/G  
USB/G  
FAB/G  
FGB/G  
FVB  
FWB/G  
FHB  
FLB  
AB  
AG  
AP/AD  
APK/ADK  
DryAir  
EX-XPLNprf  
XPLNprf  
HVB/HVL  
S $\diamond$ B/NAB  
LAD/NAD  
Water-Rela  
NP/NAP/NVP  
SNP  
CHB/G  
MXB/G  
Other valves  
SWD/MWD  
DustColl  
CVE/CVSE  
CCH/CPE/D  
LifeSci  
Gas-Combust  
Auto-Water  
Outdoor  
SpecFld  
Custom  
Ending

## Dimensions: Actuator

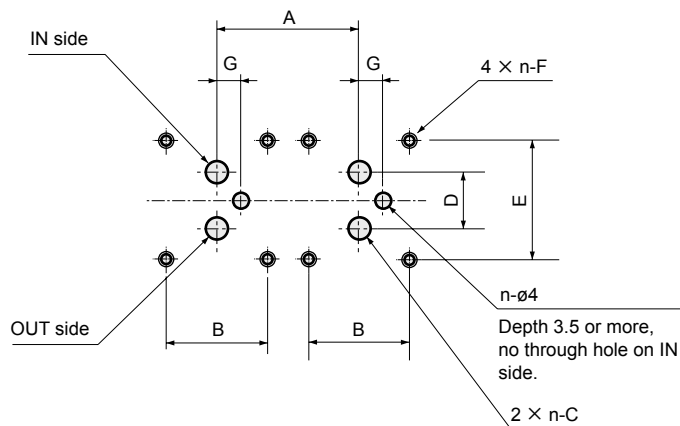
● Grommet lead wire  
GFLB\*1\*-O-B2C



Lead wire length 300mm

Model No.	A	B	C	D	E	F	G	H	J	K	L	Applicable O-ring	
												M	N
GFLB2	32	27	4	39	49.5	15.5	19.5	22	19	24	ø3.5	AS568-009	AS568-018
GFLB3	38	34	4.5	45	56	18.5	22.5	28	25	29	ø4.5	AS568-011	AS568-022
GFLB4	42	38	4.5	52.5	66.5	22.5	26	34	28	32	ø4.5	AS568-012	AS568-025
GFLB5	42	44	5.5	58.5	73.5	26	29.5	40	34	32	ø4.5	AS568-012	AS568-025

## Actuator installation dimensions



Machining drawing when using 2 actuators

(n: number of stations)

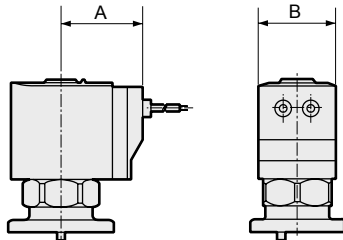
Model No.	A	B	C	D	E	F	G
GFLB2	28 or more	19±0.1	ø3.5	10.6±0.1	24±0.1	M3 effective thread depth 6 or more	6±0.2
GFLB3	35 or more	25±0.1	ø5.5	13.8±0.1	29±0.1	M4 effective thread depth 6 or more	6±0.2
GFLB4	39 or more	28±0.1	ø7.5	17±0.1	32±0.1	M4 effective thread depth 6 or more	7±0.2
GFLB5	45 or more	34±0.1	ø7.5	17±0.1	32±0.1	M4 effective thread depth 6 or more	7±0.2

## Optional dimensions



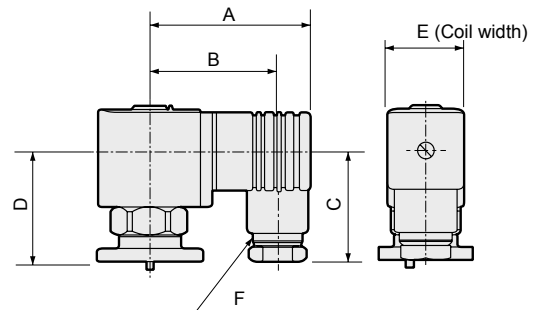
(Refer to the grommet lead wire actuator dimensions on page 138 for common dimensions.)

- Grommet lead wire with surge suppressor GFLB\*1\*-\*B 2CS



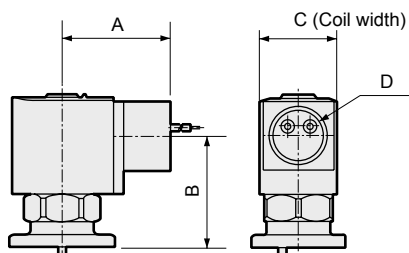
Model No.	A	B
GFLB2	26.5	22
GFLB3	29.5	28
GFLB4	34	34
GFLB5	37.5	40

- DIN terminal box (with lamp/surge suppressor) GFLB\*1\*-\*B 2G  
2HS



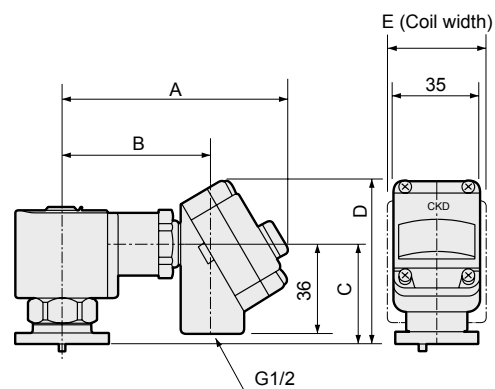
Model No.	A	B	C	D	E	F
GFLB2	53	44	38	32.5	22	Pg9
GFLB3	58.5	47	42	38.5	28	Pg11
GFLB4	62	50.5	42	46.5	34	Pg11
GFLB5	65.5	54	42	54	40	Pg11

- Conduit (CTC19 / G1/2) GFLB\*1\*-\*B 2CG  
2CH



Model No.	A	B	C	D
GFLB3	39	40.5	28	CTC19 / G1/2
GFLB4	43	48	34	CTC19 / G1/2
GFLB5	46.5	55.5	40	CTC19 / G1/2

- T type terminal box (with lamp/surge suppressor) (G1/2) GFLB\*1\*-\*B 3T  
3RS



Model No.	A	B	C	D	E
GFLB3	92	60.5	40.5	66.5	28
GFLB4	96	64.5	48	74	34
GFLB5	99.5	68	55.5	81.5	40

EXA
FWD
HNB/G
USB/G
FAB/G
FGB/G
FVB
FWB/G
FHB
<b>FLB</b>
AB
AG
AP/AD
APK/ADK
DryAir
EX-XPLNprf
XPLNprf
HVB/HVL
SϕB/NAB
LAD/NAD
Water-Rela
NP/NAP/NVP
SNP
CHB/G
MXB/G
Other valves
SWD/MWD
DustColl
CVE/CVSE
CCH/CPE/D
LifeSci
Gas-Combust
Auto-Water
Outdoor
SpecFld
Custom
Ending